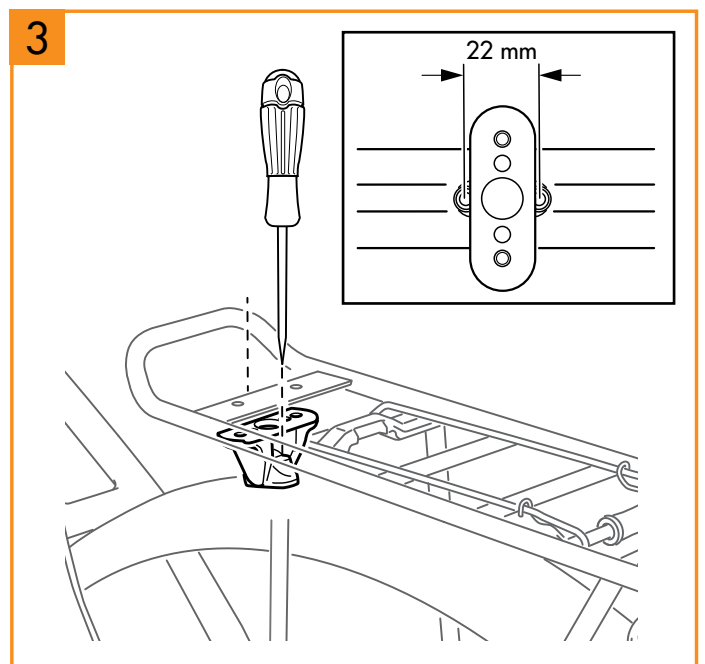
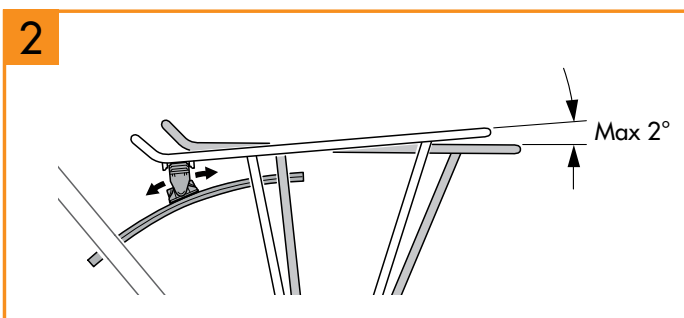
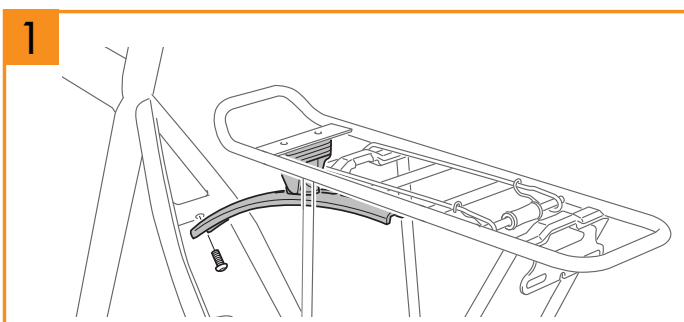
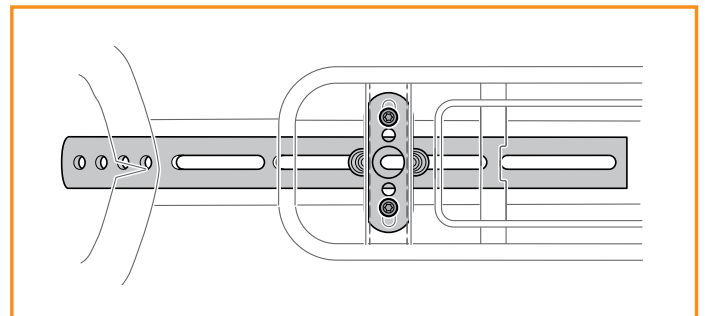
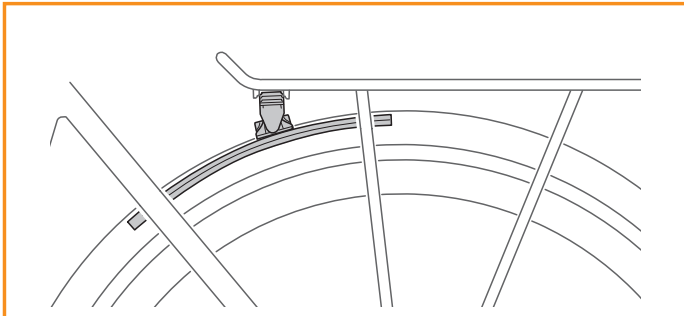
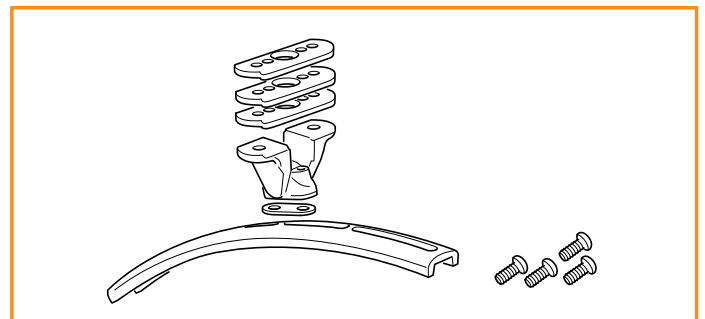
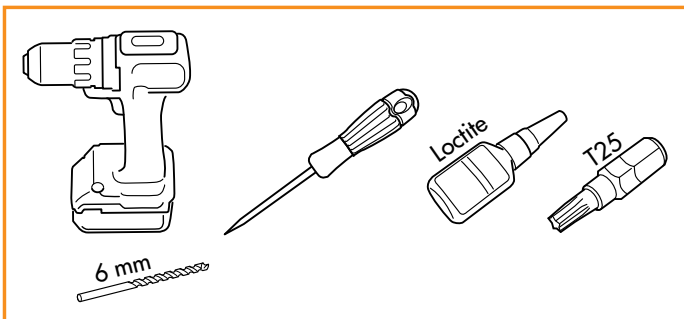
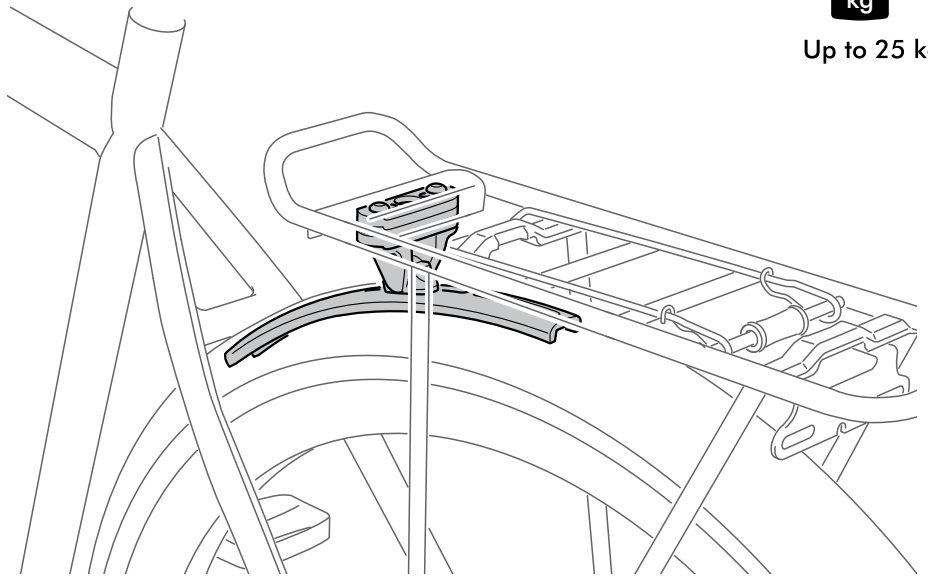


**Luggage carrier**  
**FENDER FIXATION**

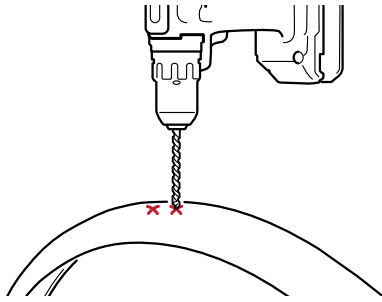
AtranVelo AB  
Vinbergsvägen 4  
311 50 Falkenberg  
info@atranvelo.com

25  
kg

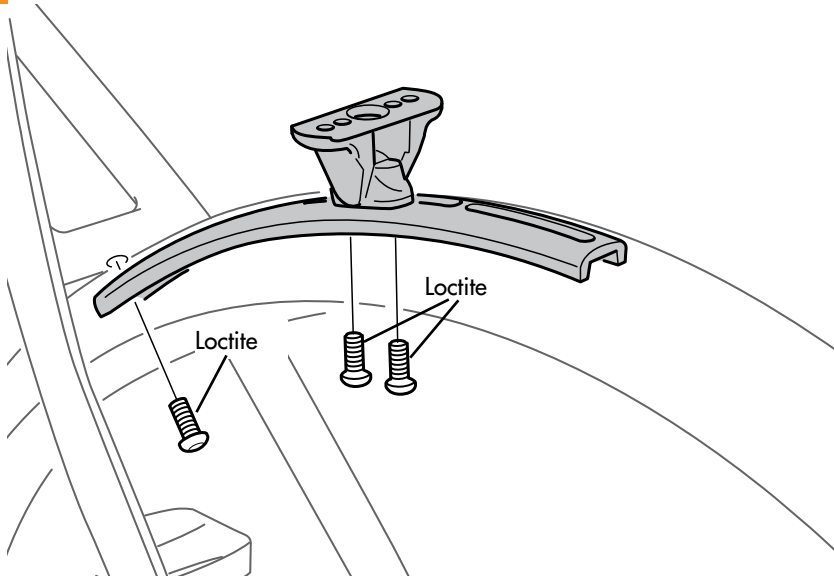
Up to 25 kg



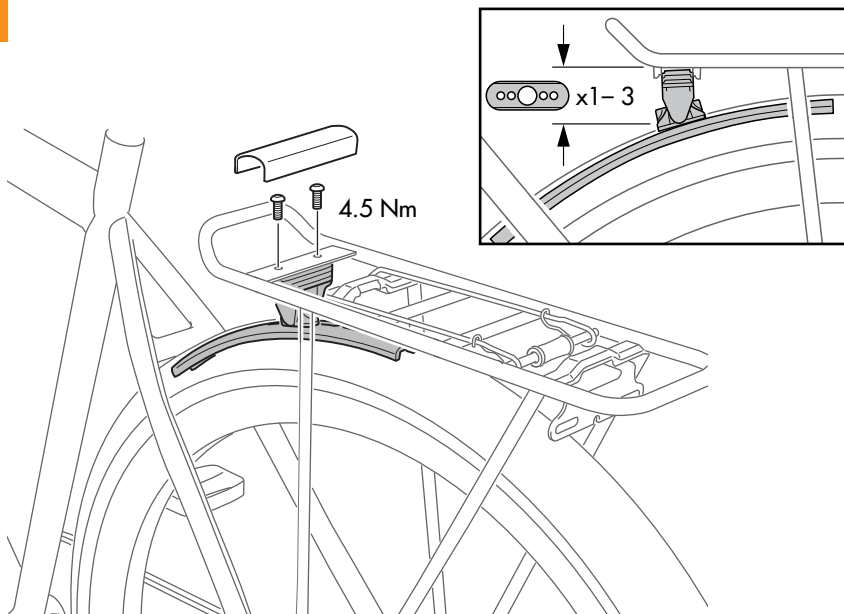
4



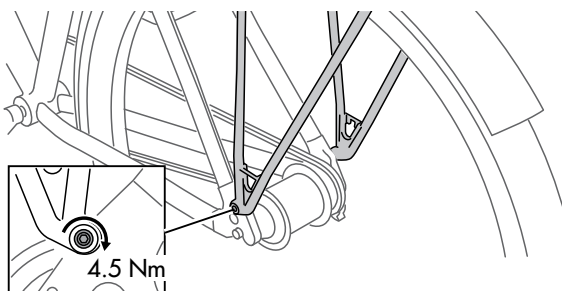
5



6



7



## Information for Fender Fixation

To get the most out of this product, follow the information and instruction carefully. This information shall be read and understood before mounting the Fender fixation.

Keep the instruction in a safe way so that you can return to the instruction if necessary.

Model: Fender Fixation

### Warning!

a) Check the geometric data and the strength of the bicycle and luggage carrier on which Fender Fixations to be mounted, are compatible with Fender Fixations specification. Contact your dealer where the bicycle and/or luggage carrier is bought for help if you are unsure.

b) The fasteners supplied shall be used. Read and follow the assembly instructions/routines before starting installation. Use Loctite or alike and/or locking nut for good thread locking.

c) Maximum load capacity is 25 kg for a luggage carrier with Fender Fixation. If the luggage carrier has a lower weight class than 25 kg the approved maximum weight on the luggage carrier applies.

d) Fasteners should be checked regularly. Slightest sign of deviation shall be corrected immediately. Contact dealer where the bicycle was purchased for a proper review and possible action.

e) Right loaded a luggage carrier is a safe way to transport luggage in traffic. Check that there are no loose straps or pieces of luggage that can come down on/to the wheel while driving.

f) Under no circumstances shall the Fender Fixation be changed or modified.

g) **WARNING!** The bike behaves differently when the luggage carrier is loaded on the bicycle. Always distribute the weight as evenly as possible on the luggage carrier. Test ride the bicycle in a safe location before heading out into the traffic. Be aware that special steering and braking are affected when the luggage carrier is loaded.

h) **WARNING!** Before start riding the bicycle, ensure that any luggage fitted to the luggage carrier is properly secured in accordance with the manufacturer's instructions and that there are no loose straps or similar, that can get caught in the wheel.

i) Lamps and reflectors should be mounted in the designated location (if available). Check that the lamp and/or the reflex is approved in the country you riding the bicycle in. Before riding the bike, make sure that the luggage does not obscure the lights and/or reflectors.

j) Always distribute the luggage as evenly as possible on the luggage carrier. When side panniers is used make sure this are distributed as evenly as possible. Remember not to exceed the maximum load capacity.

k) Compatible wheel size and tyre for the Fender Fixation is not specified. To avoid any problems please contact your local specialist dealer for professional evaluation of your bicycle/bicycle geometry.

l) The manufacturer: AtranVelo AB, Vinbergsvägen 4, 311 50 Falkenberg, Sweden

Brand: AtranVelo

Model: Fender Fixation

m) The type(s) of bicycles for which this Fender Fixation are intended, is a vehicle that has at least two wheels and is propelled solely or mainly by the muscular energy of the person on that vehicle, in particular by means of pedals, or a equipped with pedals and an auxiliary electric motor, which cannot be propelled exclusively by means of this auxiliary electric motor, except in the start-up assistance mode.